

MS-211-3-1-0300
Customized Reed Sensor

RoHS

REACH

Electrical Characteristics

@ 25°C

Contact form		A
Contact rating max.	W / VA	5
Switching voltage max.	VDC	175
	VAC	140
Switching current max.	mA	250
Carry current max.	mA	500
Breakdown voltage min.	VDC	230
Total resistance max. (initial)	mΩ	300
Insulation resistance min.	MΩ	10 ⁶

Magnetical Characteristics (of unmodified Reed Switch)

@ 25°C

Pull in range available	AT	10 - 15
Drop out min.	AT	2
Test coil	TC	004
Test equipment tolerance	± AT	1

Operating Characteristics (of unmodified Reed Switch)

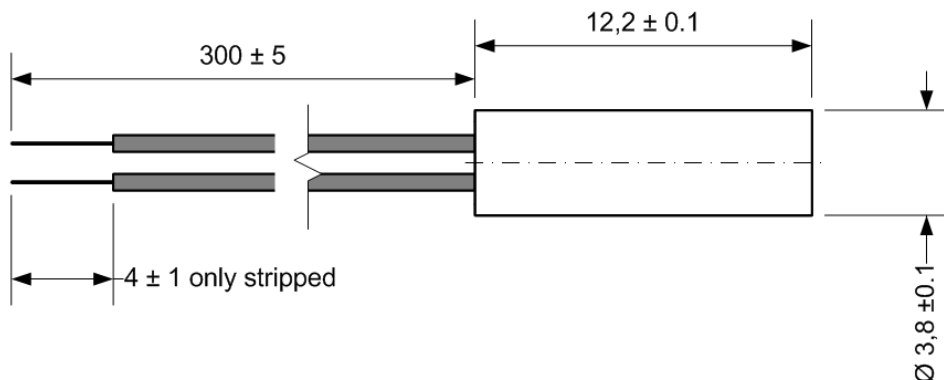
@ 25°C

Switching frequency max.	Hz	
Resonant frequency typ.	Hz	21300
Operate time max. (incl. bounce)	ms	0.35
Release time max.	ms	0.1

Environmental Characteristics

Operating temperature	°C	-20 to +85
Vibration (50-2000 Hz)	g	20
Shock (1/2 sin 11 ms)	g	100

Dimensions of final sensor in mm



MS-211-3-1-0300

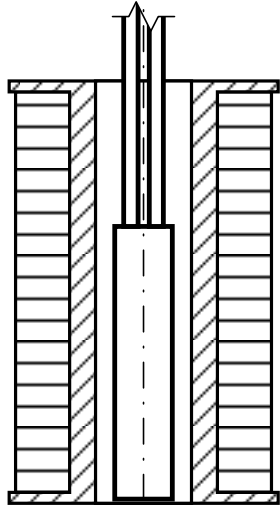
Customized Reed Sensor



Material Information

Housing material	ABS, black
Potting material	Epoxy, black
Cable information	2x UL1061; AWG26; black 300 ±0.5mm ends 4mm free

Test Procedure of final Reed Sensor

Test program	Test coil	Test setup
MS-211	TC-093	<p>Test Coil placed in vertical position</p>  <p>Reed Sensor centered in Test Coil</p> <p>Reed Sensor aligns with bottom line</p> 